

Technical Description

ELBA Linear Storage bin RD 32

Linear bin

for storage and batching of aggregates, executed in a stable steel profiles-plate construction, with suitable static for direct supporting of a feeding ramp on one side or both sides. Quick Mounting of single compartments and separation walls by wedge joints. Variable feeding heights allow different volumes.

Segment Batching Gates

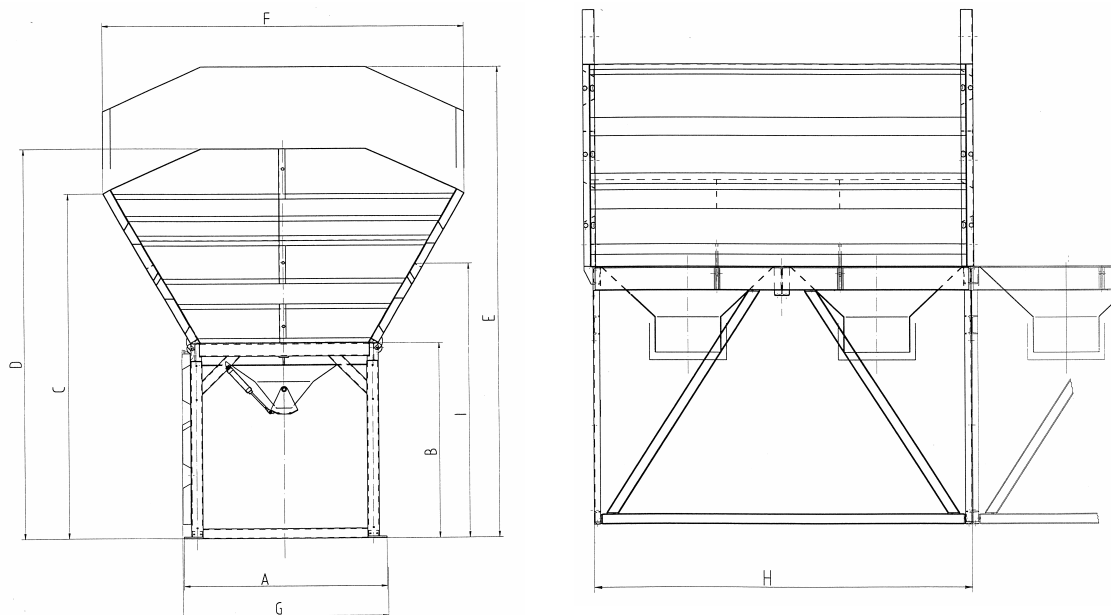
Opening dimensions 180 x 160 mm, electro-pneumatically operated, ready installed. Opening with adjustable buffers. Standard, workable grain size: crushed / round 32 mm, for coarse batching gates crushed / round 100/120 mm.

ELBA Weighing Conveyor belt

consists of a frame in steel profile construction, drive drum of concrete polymer, with passing axle with roller bearings.

Pressing roll to enlarge the wrap angle. Tension drum with passing axle with roller bearing and tension device.

Belt supporting stations, 3 sections cleted – adjustable, permanently greased, mounted every 0,3 m. Lower supporting roller stations approx. every 1,75 m. Conveyor belt endless vulcanised, EP 400/3, 4+2 mm rubber covering. Belt cleaner easily adjustable, as a laminar cleaner underneath the belt. Continuous rubber strip cleaner, adjustable. Belt conveyor height extension in steel sheet construction, rear part easily dismantable. Lateral safety cords with emergency stop on both sides. Weigh belt conveyor with single primary coat and final coat RAL 7035.



Dimensions of one single compartment of RD 32

RD	Volume	A (mm)	B (mm)	C (mm)	D (mm)	E (mm)	F (mm)	G (mm)	H (mm)	I (mm)
32	ca. 25 cbm	3000	2936	-	6110	-	5295	3172	3500	4126
32	35 cbm	3000	2936	5110	6110	-	5295	3172	3500	-
32	52 cbm	3000	2936	-	-	7110	5295	3172	3500	-

	RD 32-105	RD 32-140	RD 32-175	RD 32-210
Length	10,5 m	14 m	17,5 m	21 m
Width	5,32 m			
Height	6,11 m or 7,11m			
Feeding width	3,39 m			
STANDARD Total volume by 5,10 m feeding height Segmentation Compartments / Volume	105 cbm 3 x 35 to 1 x 35 + 4 x 17,5	140 cbm 4 x 35 to 2 x 35 + 4 x 17,5	175 cbm 5 x 35 to 3 x 35 + 4 x 17,5	210 cbm 6 x 35 to 3 x 35 + 6 x 17,5
OPTION Total volume by 6,10 m feeding height Segmentation Compartments / Volume	156 cbm 3 x 52 to 1 x 52 + 4 x 26	208 cbm 4 x 52 to 2 x 52 + 4 x 26	264 cbm 5 x 52 to 3 x 52 + 4 x 26	312 cbm 6 x 52 to 3 x 52 + 6 x 26
Quantity of discharge gates	6 to 10	8 to 12	10 to 14	12 to 18
Weighing Belt Length	11,5 m	15 m	18,6 m	22,1 m
Belt drive	18,5 kW			22 kW
Belt width	1000 mm			
Weighing range optional	5000 kg or 6000 kg			



RD in final assembly



RD ready for dispatch

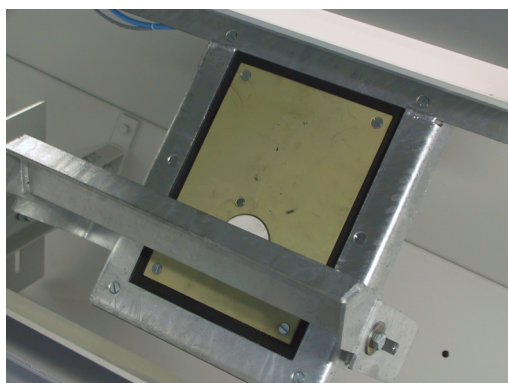


Illustration shows option:
Sand moisture measuring device

Options:

- Side wall elements for feeding of aggregates laterally from one - or both sides with ramps
- Covering at rear
- L-support wall for the ramp
- Wear and tear plates of weighing belt
- Weigher control device
- Assistance of calibration
- Monitoring of „close“ Position
- Vibrator mounted at batching gate for sand
- Batching gates for large size particles
- Installation in BUS-technology
- Lighting
- Steam injection equipment
- Increasing of volume
- Compaction device

009.33-0223.7 (3/03) VF

Technische Änderungen vorbehalten.
Subject to technical changes.

Sous réserves de modifications techniques.
Sujeto a modificaciones técnicas.